

Rapid 600 series

Open-Hearted **Power**



Extremely short pit stops

Saving costs by simplifying your cleaning and service dramatically

Maximize uptime

Efficiency is about uptime, uptime is about simplicity.

“Visibly clean” inspection

Prevent cross-contamination when changing material or colour.

No compromises

In Rapid we make no compromises, that’s why we are the most trusted name in granulators.



Open-Hearted Power

After the total success with the Open-Hearted 300-, 400-, and 500-Series Rapid has now developed the biggest Open-Hearted granulator ever – the 600-Series, filled with new technology.

The Open-Hearted concept means an ergonomic design that enables you to open the complete cutter house and get total access to the heart of the machine facilitating much faster cleaning, maintenance and inspection.

Within a couple of steps – and without the use of tools – fast and easy access is gained to the cutter house and associated components, including its fixed and rotating blades, for cleaning, servicing or knife-changing. Clear visual access to the core machine parts allows “visibly clean” inspection and approval of the machine before it resumes operation, preventing potential contamination at colour and material changes.

The Rapid 600-series comes in three widths, 900, 1.200 and 1.500 mm.



Specifications

	600-90	600-120	600-150
Rotor diam. (mm)	600		
type	3-blade, open		
Rotating knives	3x2	3x2	3x2
Fixed knives	2x2	2x2	2x2
Cutterhouse, Super-Tangential/Tangential, mm	900x800	1200x800	1500x800
Pre-cut, mm	900x630	1200x630	1500x630
Hopper inlet	900x600	1200x600	1500x600
Motor, standard, (kW)	75	90	90
alternatives	55, 75, 90, 110, 132, 160		
Throughput capacity (up to, kg/h)	2 500	3 000	4 000
Weight (kg)	6 500	7 500	9 000

Standard features

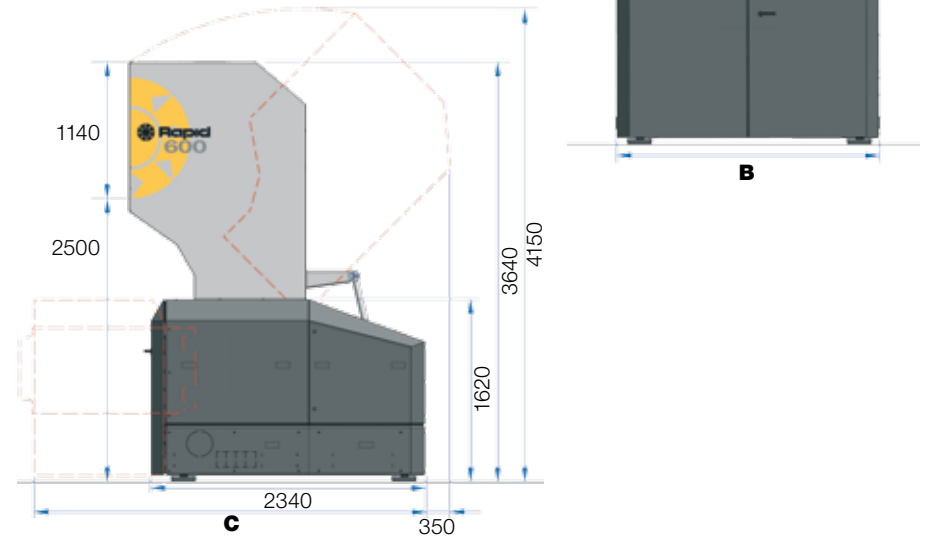
- Constant Cutting Circle, CCC
- Open-Hearted cutting chamber design
- Pre-adjustable knives, fixed and rotating
- Double scissors cutting action, V-position
- Rotor lock
- Rotor stand still guard
- Heavy duty transmission
- Easy removable flaps
- Solid stand with machine shoes, MCT – Mineral Composite Technology
- Electrical jack opening

Options

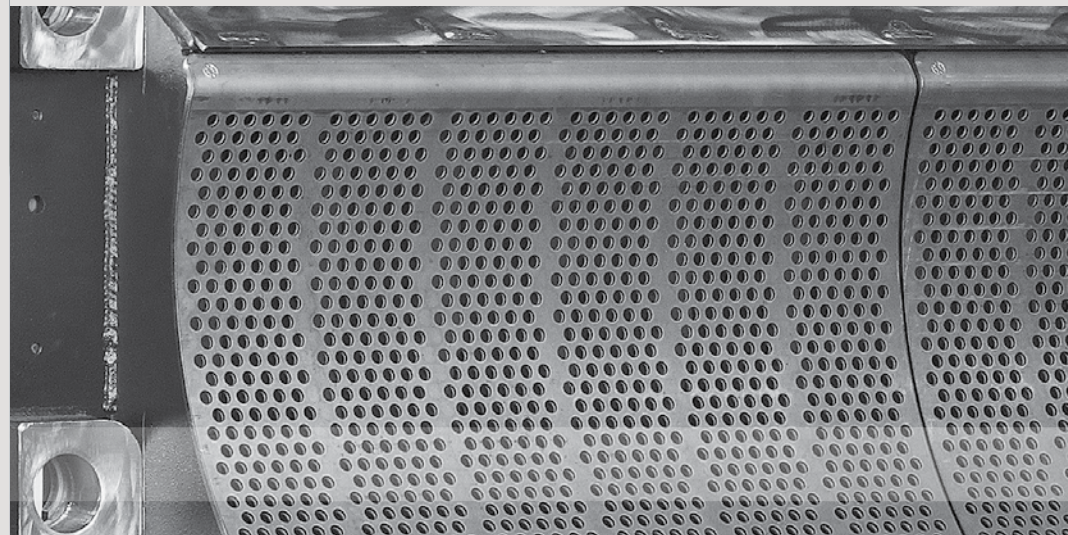
- 3-blade beam rotor
- 5-blade beam rotor
- 7-blade beam rotor / 7-blade RS rotor
- PowerTech package, wear resistant execution
- Various hoppers for sheets, pipes/profiles, belt conveyor, roll feed
- Extra fixed knife/knives, increasing throughput,
- Screen diam. Std/opt. (mm) 8 10 / 12 / 17 / 25
- Extra flywheel
- Knife setting jig
- Friction clutch
- Level indicator

All data given depending on configuration, material etc.

Model	A	B	C
600-90	900	1960	3200
600-120	1200	2260	3500
600-150	1500	2560	3800



All dimensions in mm.



Rapid 600 series

“Open-Hearted Power”

Easy cleaning and maintenance

The outstanding ergonomic design of all models allows you to rapidly reach the heart of the machine and gain access to appropriate parts to achieve fast cleaning, maintenance and changeover times. “Visibly clean” inspection and approval is a further benefit.



Less energy

The true double scissors action reduces the force needed to slice through plastic waste. Therefore a smaller motor can be used to significantly reduce energy consumption.



Single operator handling

The outstanding ergonomic design of core wearing components simplify handling by being split in two parts.

The screens can be turned, providing longer lifetime and maximum durability.



Heavy duty transmission

Two heavy duty versions of transmission are available. One with extra increased inertia which includes friction clutch.

A second flywheel can be added to further increase the granulation power.

The Rapid friction clutch ensures safe operation even if a sudden stop in the granulation occurs.



Rapid Mineral Composite Technology Base, MCT

The 600-Series' base is made of a special mineral composite material to give the stability that is needed for smooth granulation and efficient absorption of stress and vibrations.



Improved safety interlock

The new design of the safety interlock system allows quicker opening of a granulator. It is also safer because its speed-related sensor ensures that the rotor is standing still before the granulator can be opened.



Highest-quality regrind

The Rapid cutting technique, comprising clean double scissors-cutting action and constant cutting circle, produces granules of a uniform size with minimal dust content even with the toughest materials.



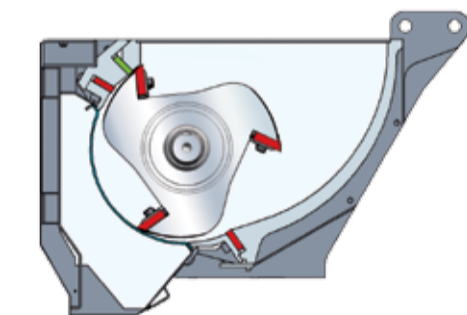
Power-assisted opening/closing

Rapid opening and closing of the infeed hopper is assured by a motor-driven jack.

Infeed hopper solutions



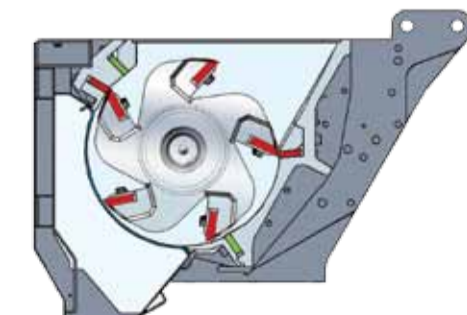
Cutterhouse configurations



“Super-Tangential” cutterhouse with 3-blade open rotor

For bulky waste this is often the recommended configuration. The two fixed knives (red) are typically used. A third fixed knife (green) is optional for higher capacities.

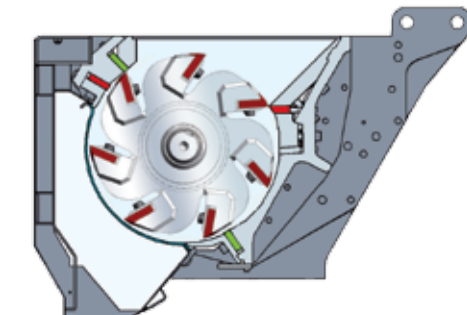
3-blade rotor also available in beam version.



“Tangential” cutterhouse with 5-blade beam rotor

Increased throughput is achieved by using the 5-blade beam rotor. The Tangential cutterhouse is suited for bulk waste as well as more thick-walled, compact products.

The two fixed knives (red) are typically used. One or two additional fixed knives (green) – are optional to further increase throughput.



“Pre-cut” cutterhouse for thick-walled materials

The “Pre-cut” cutterhouse configuration is used when the material should be cut piece-by-piece without falling “into the rotor”. Normally a 5-blade or a 7-blade rotor is used depending on capacity requirements.

Two standard fixed knives (red), can also be equipped with one or two additional fixed knives (green).

The Most Trusted Name In Granulators

Rapid is the world leader in granulation. We develop, manufacture and market individual granulators and completely integrated recycling solutions for the plastics industry.

With an extensive granulator range, from table-top units to giant machines, we can satisfy virtually all your granulation needs.

Our products are regarded as the most ruggedly built, most dependable and of the highest quality available on the market. And our excellent spare parts service helps to keep them in top condition.

We are dedicated to partnering with you. With over 60 years of experience, a global presence, and more than 70,000 units installed worldwide, we offer you our expertise, our people, and our resources.

Rapid strives to exceed your expectations in recycling plastic waste.



Rapid Granulator AB

Box 9, Industrivägen 4
SE-330 10 Bredaryd, Sweden
Phone: +46 370 86500
Email: info@rapidgranulator.se

Rapid worldwide:

USA	info@rapidgranulator.com
Germany	info@rapidgranulator.de
France	info@rapidgranulator.fr
Italy	info@rapidgranulator.it
China	info@rapidgranulator.cn
Singapore	info@rapidgranulator.asia



www.rapidgranulator.com