

Rapid 300



Rapid 300-30
300-45
300-60

The formula **for success**

Rapid's "open-hearted" engineering concept is now built into each granulator model of its Rapid 300, 400 and 500 Series. The big benefit of being open-hearted is that it boosts performance by providing direct and easy access to the heart of a machine to achieve very rapid cleaning and maintenance times for fast production changeovers. Such extremely short pit stops maximize uptime and minimize labor costs. The clear access to core machine parts also allows "visibly clean" inspection and approval, preventing contamination at color and material changes.

Once again, Rapid confirms that it leads the field with innovative design and makes no compromises in providing you with high-performance granulators.



**Quality regrind –
for consistent production
processes**



Extremely short pit stops

Saving costs by simplifying your cleaning and service dramatically

Maximize uptime

Efficiency is about uptime, uptime is about simplicity.

“Visibly clean” inspection

Prevent cross-contamination when changing material or colour.

No compromises

In Rapid we make no compromises, that's why we are the most trusted name in granulators.

Rapid 300 series

“Open-Hearted Engineering”

Improved safety interlock

The new design of the safety interlock system allows quicker opening of a granulator. It is also safer because its speed-related sensor ensures that the rotor is standing still before the granulator can be opened.



Easy cleaning and maintenance

The outstanding ergonomic design of all models allows you to rapidly reach the heart of the machine and gain access to appropriate parts to achieve fast cleaning, maintenance and changeover times. “Visibly clean” inspection and approval is a further benefit.



Highest-quality regrind

The Rapid cutting technique, comprising clean double scissors-cutting action and constant cutting circle, produces granules of a uniform size with minimal dust content even with the toughest materials.



Less energy

The true double scissors action reduces the force needed to slice through plastic waste. Therefore a smaller motor can be used to significantly reduce energy consumption.



Reversible screen

The screen can be turned, providing longer lifetime and maximum durability.



Power-assisted opening/closing

Rapid opening and closing of the in-feed hopper is assured by gas springs or a motor-driven jack.



Specifications

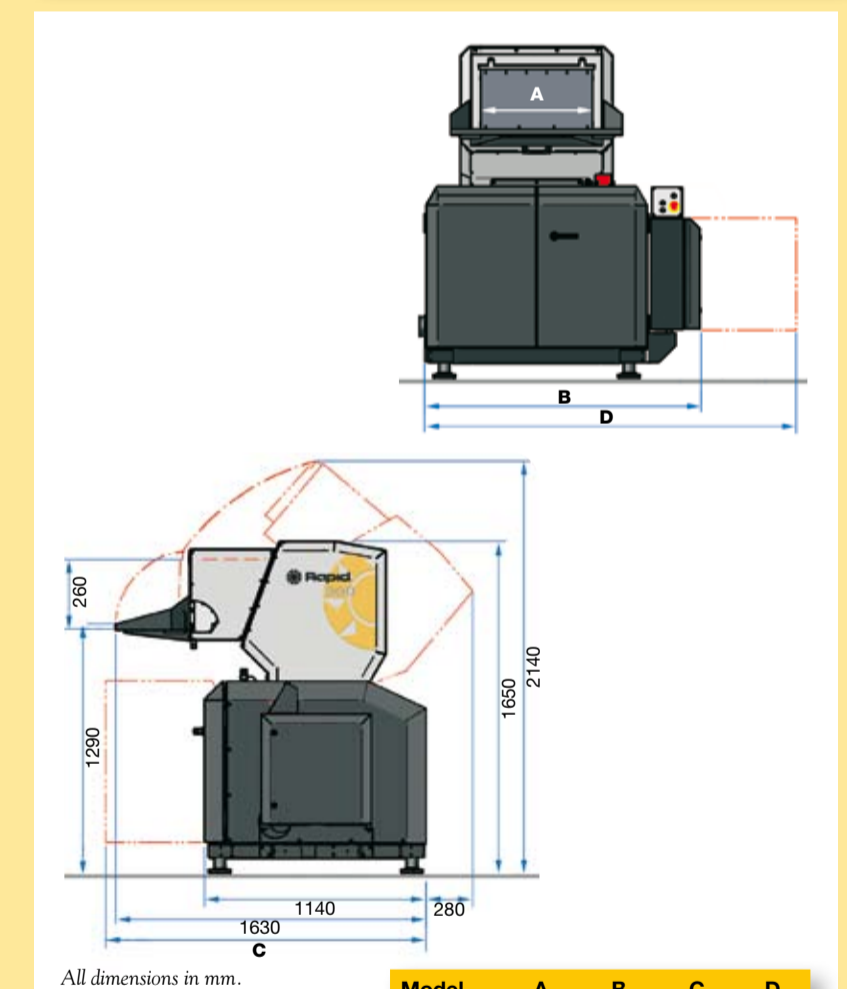
	300-30	300-45	300-60
Rotor diam. (mm)	260		
type	3-blade, open		
Rotating knives	3		
Fixed knives	2		
Cutterhouse, Super-Tangential, mm	320x360	470x360	620x360
Tangential, mm	320x285	470x285	620x285
Hopper inlet	300x260	450x260	600x260
Motor, standard, (kW)	5.5	7.5	7.5
other alternatives, (kW)	5.5, 7.5, 11, 15		
Throughput capacity, (kg/h)	up to 200	up to 300	up to 400
Weight (kg)	800	900	1000

Features

- Pre-adjustable knives
- Double scissors cutting action
- Rotor stand still guard
- Swing-out cutter house front/cradle
- Heavy duty transmission
- Easy removable flaps
- Solid stand with machine shoes

Options

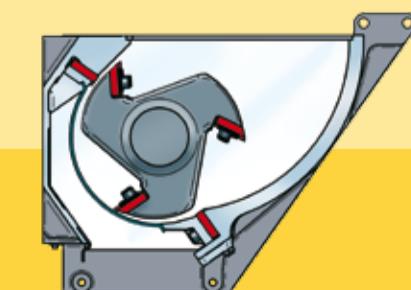
- PowerTech package, wear resistant execution
- Various hoppers for sheets, pipes/profiles, belt conveyor, roll feed
- Extra fixed knife, increasing throughput, Tangential
- Screen diam. Std/opt. (mm) 8 4 / 6 / 10 / 12 / 17 / 25
- Extra flywheel
- Knife setting jig
- Level indicator
- Electrical jack opening



Model	A	B	C	D
300-30	300	1150	1360	1760
300-45	450	1300	1510	1910
300-60	600	1450	1660	2060

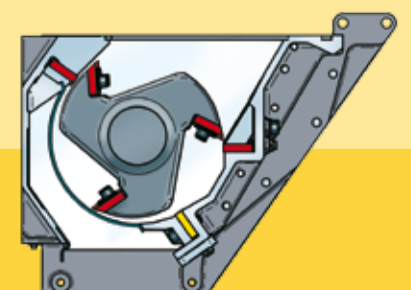
Infeed configurations

A great number of hopper alternatives are available as standard options depending on application and infeed method. Most of the standard hoppers are of modular design and can be easily re-configured later if needed.



Super-Tangential

The Super-Tangential cutterhouse is ideal for voluminous parts and scrap providing excellent grip. Standard configuration includes two fixed knives (red), if increased throughput is required, a third fixed knife can be specified (yellow).



Tangential

For more thick-walled and compact parts the Tangential cutter house is ideal. Standard configuration includes two fixed knives (red), if increased throughput is required, a third fixed knife can be specified (yellow).

The Most Trusted Name In Granulators

Rapid is the world leader in granulation. We develop, manufacture and market individual granulators and completely integrated recycling solutions for the plastics industry.

With an extensive granulator range, from table-top units to giant machines, we can satisfy virtually all your granulation needs.

Our products are regarded as the most ruggedly built, most dependable and of the highest quality available on the market. And our excellent spare parts service helps to keep them in top condition.

We are dedicated to partnering with you. With over 60 years of experience, a global presence, and more than 70,000 units installed worldwide, we offer you our expertise, our people, and our resources.

Rapid strives to exceed your expectations in recycling plastic waste.



Rapid Granulator AB

Box 9, Industrivägen 4
SE-330 10 Bredaryd, Sweden
Phone: +46 370 86500
Email: info@rapidgranulator.se

Rapid worldwide:

USA	info@rapidgranulator.com
Germany	info@rapidgranulator.de
Italy	info@rapidgranulator.it
Middle East	middle.east@rapidgranulator.se
China	info@rapidgranulator.cn
Singapore	info@rapidgranulator.asia

www.rapidgranulator.com